

2020

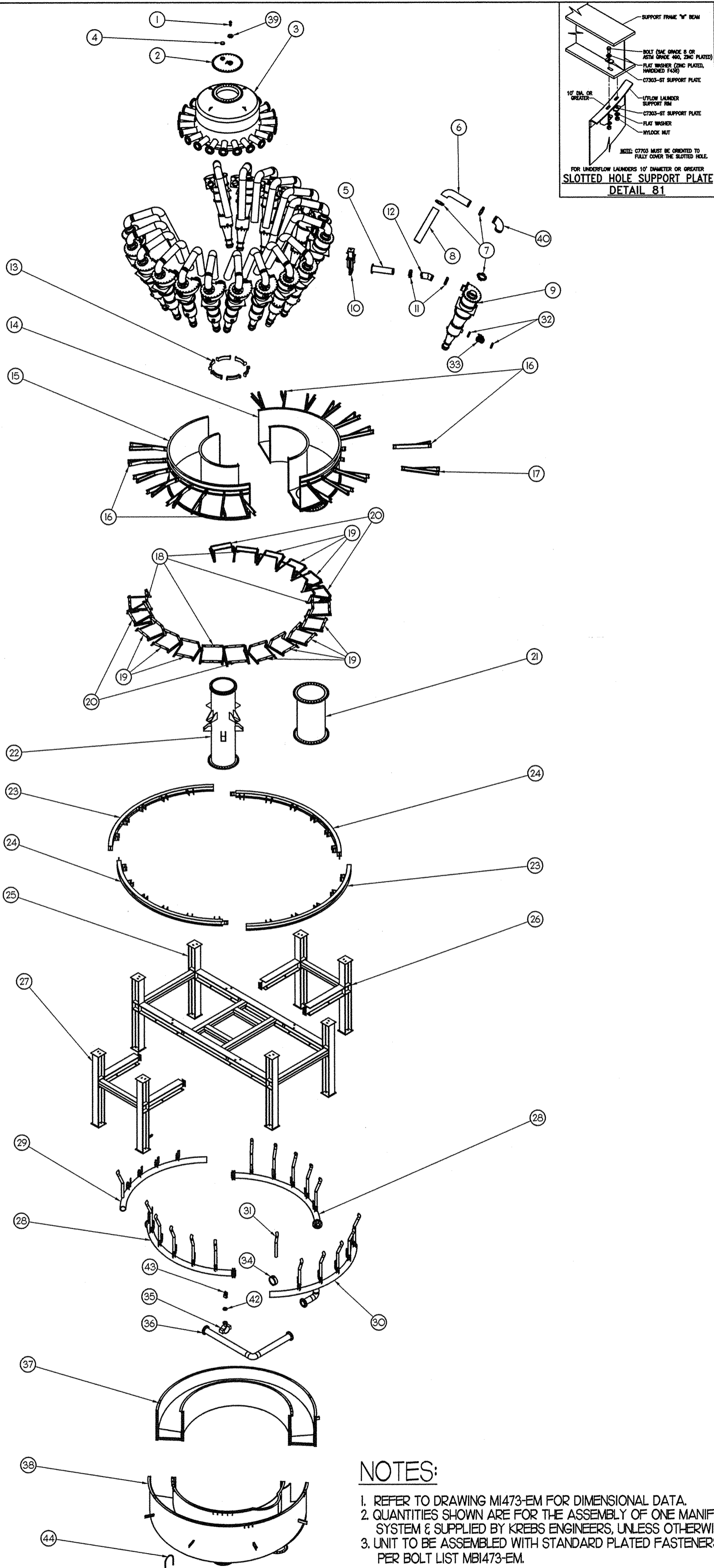
# DESARROLLO PLAN DE MANTENIMIENTO DE HIDROCICLONES KREBS, TRANQUE EL MAURO, MINERA LOS PELAMBRES

OLIVARES ROMAN, JOSE LUIS SANTIAGO

---

<https://hdl.handle.net/11673/50718>

*Repositorio Digital USM, UNIVERSIDAD TECNICA FEDERICO SANTA MARIA*



**BILL OF MATERIALS**

ITEM No.	DESCRIPTION	QTY	PART No.	DWG No.
1	O-60 PSI GAUGE PRESSURE SERIES 60 W/ APPCOR DIAPHRAGM ASSY	1	PI-PL727-O60	PL727
2	36" [900mm] MANWAY COVER	1	MFI473-1A-EM	MFI473-1-EM
3	96" [2400mm] FEED DISTRIBUTOR 1/2" [12mm] GUM RUBBER LINED	1	MFI473-1B-EM	MFI473-1-EM
4	2" [50mm] BLIND FLANGE	1	PF-BF-150-2	---
5	8" [200mm] INLET SPOOL "A" 1/2" [12mm] GUM RUBBER LINED	22	C5163A-MI473-EM	C5163-MI473-EM
6	10" [250mm] OVERFLOW PIPE 1/2" [12mm] GUM RUBBER LINED	22	C5201A-MI473-EM	C5201-MI473-EM
7	10" [250mm] STYLE 77 VICTALLIC COUPLING	66	VIC-77-10	---
8	10" [250mm] OVERFLOW PIPE 1/4" [6mm] GUM RUBBER LINED	22	C5201B-MI473-EM	C5201-MI473-EM
9	KREBS CYCLONES MODEL DS20LB-2417	22	DS20LB-2417	---
10	8" [200mm] CLARKSON KGD AIR ACTUATED W/ LIMIT SWITCHES,SOLENOID AND PROFIBUS-DP COMMUNICATION	22	KGD8-AC-M6	---
11	8" [200mm] STYLE 77 VICTALLIC COUPLING	44	VIC-77-8	---
12	8" [200mm] INLET SPOOL "B" 1/2" [12mm] GUM RUBBER LINED	22	C5163B-MI473-EM	C5163-MI473-EM
13	36" [900mm] STYLE 44 VICTALLIC COUPLING	1	VIC-44-36	---
14	OVERFLOW LAUNDER "B" 1/4" [6mm] GUM RUBBER LINED	1	MFI473-2B-EM	MFI473-2-EM
15	OVERFLOW LAUNDER "A" 1/4" [6mm] GUM RUBBER LINED	1	MFI473-2A-EM	MFI473-2-EM
16	SUPPORT WING "A"	4	MFI473-2D-EM	MFI473-2-EM
17	SUPPORT WING "B"	18	MFI473-2E-EM	MFI473-2-EM
18	CYCLONE MOUNTING PLATE "A"	14	MFI473-10A-EM	MFI473-10-EM
19	CYCLONE MOUNTING PLATE "B"	4	MFI473-10B-EM	MFI473-10-EM
20	CYCLONE MOUNTING PLATE "C"	4	MFI473-10C-EM	MFI473-10-EM
21	OVERFLOW DISCHARGE PIPE 1/4" [6mm] GUM RUBBER LINED	1	MFI473-2C-EM	MFI473-2-EM
22	36" [900mm] FEED PIPE 1/2" [12mm] GUM RUBBER LINED	1	MFI473-5-EM	MFI473-5-EM
23	ROLLED RING SUPPORT "B"	2	MFI473-8B-EM	MFI473-8-EM
24	ROLLED RING SUPPORT "A"	2	MFI473-8A-EM	MFI473-8-EM
25	SUPPORT FRAME	1	MFI473-4A-EM	MFI473-4-EM
26	FRAME OUTRIGGER "A"	1	MFI473-4B-EM	MFI473-4-EM
27	FRAME OUTRIGGER "B"	1	MFI473-4C-EM	MFI473-4-EM
28	CYCLOWASH HEADER "A"	2	MFI473-9A-EM	MFI473-9-EM
29	CYCLOWASH HEADER "B"	1	MFI473-9B-EM	MFI473-9-EM
30	CYCLOWASH HEADER "C"	1	MFI473-9C-EM	MFI473-9-EM
31	Ø3" [80mm] x 7' [1800mm] HOSE	22	PF-HOSE-3.1.8	---
32	3" [75mm] STYLE 74I VICTALLIC	44	VIC-74I-3	---
33	Ø3" [80mm] BALL VALVE W/ AIR ACTUATOR ABZ200	22	KV-BV-3ABZ200AC	---
34	COLLARIN 8" x 3" BSP	22	PF-COUP-8-3	---
35	COLLARIN 8" x 2" BSP	1	PF-COUP-8-2	---
36	CYCLOWASH HEADER "D"	1	MFI473-9D-EM	MFI473-9-EM
37	UNDERFLOW LAUNDER "A" 1/2" [12mm] GUM RUBBER LINED	1	MFI473-3A-EM	MFI473-3-EM
38	UNDERFLOW LAUNDER "B" 1/2" [12mm] GUM RUBBER LINED	1	MFI473-3B-EM	MFI473-3-EM
39	3" [75mm] BLIND FLANGE	1	PF-BF-3X1.2NPT	---
40	VICTALLIC ELBOW N10-10"	22	VIC-10-10	---
41	SUPPORT PLATE	64	C7303-ST	DET. 81
42	50mm [2"] FLANGED DIAPHRAGM SEAL	1	PI-DIAP-SEAL-2	---
43	TRANSMISOR DE PRESSION SIEMENS	1	PI7MF4035IEAIO	---
44	U-BOLT, FOR PIPE 200MM	10	C7177-ST-8	---
45	---	1	---	---
46	MANIFOLD FASTENER LIST	1	MBI473-EM	MBI473-EM

**NOTES:**

- REFER TO DRAWING MI473-EM FOR DIMENSIONAL DATA.
- QUANTITIES SHOWN ARE FOR THE ASSEMBLY OF ONE MANIFOLD SYSTEM & SUPPLIED BY KREBS ENGINEERS, UNLESS OTHERWISE NOTED.
- UNIT TO BE ASSEMBLED WITH STANDARD PLATED FASTENERS PER BOLT LIST MBI473-EM.

**EXPLODED ISO**  
SCALE: N.T.S.

THIS DRAWING IS THE EXCLUSIVE PROPERTY OF KREBS ENGINEERS, TUCSON, ARIZONA, AND CONTAINS INFORMATION WHICH IS PROPRIETARY TO KREBS. IT IS NOT TO BE COPIED OR DUPLICATED IN ANY MANNER, OR USED IN CONNECTION WITH THE MANUFACTURE AND/OR SALE OF ANY APPARATUS OR PARTS THEREOF, OR DISSEMINATED TO ANY THIRD PARTY WITHOUT THE PRIOR WRITTEN CONSENT OF KREBS. ANY AUTHORIZED REPRODUCTION OF THIS DRAWING, OR ANY PORTION THEREOF, SHALL INCLUDE THIS NOTICE.

REF. DWG: MI473-EM

REVISION STATUS					5505 WEST GILLETTE ROAD TUCSON, AZ 85743 www.krebs.com
Dwn. By:	32	Date:	Scale:	Dwn. By:	Date:
				ICS	2-10-07
Appvd. By:					S.O.
<b>ASSEMBLY ARRANGEMENT</b> <b>22 MODEL DS20LB-2417 KREBS CYCLONES</b> <b>RADIAL MANIFOLD SYSTEM</b>					
			© KREBS ENGINEERS 2006 DWG. NO. MAI473-1-EM		